

THIS DRAWING IS UNPUBLISHED.

RELEASED FOR PUBLICATION

---

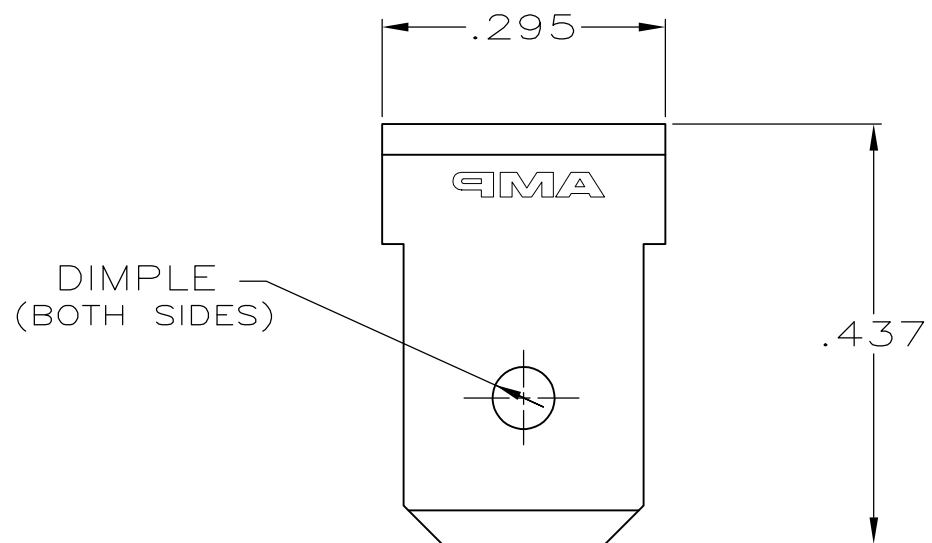
© COPYRIGHT - By -

ALL RIGHTS RESERVED.

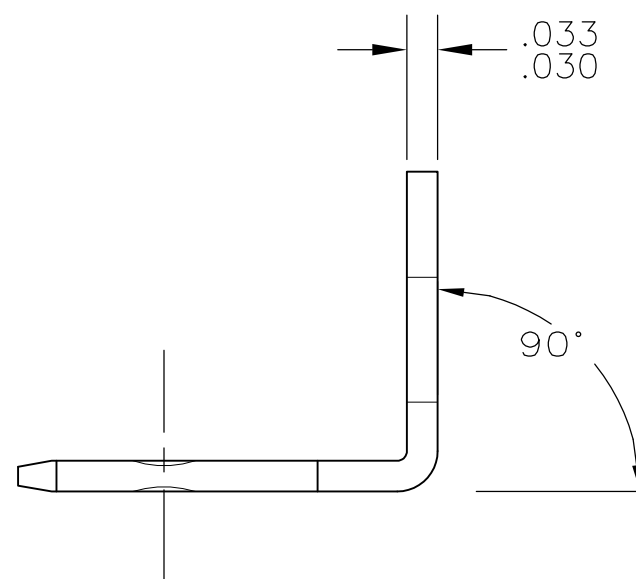
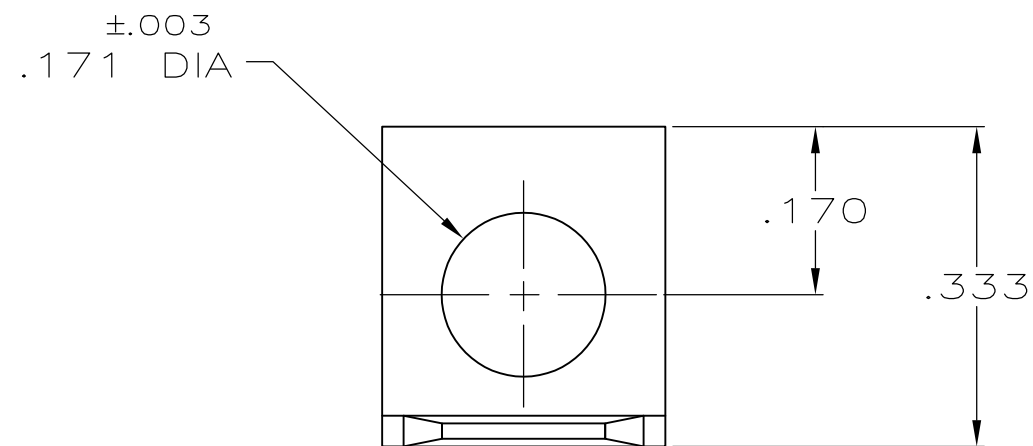
LOC AF DIST 50

REVISIONS


P	LTR	DESCRIPTION	DATE	DWN	APVD
	F1	REVISED PER ECO-11-005027	12MAR11	RK	HMR



1 SUPPLIED IN LOOSE PIECE.



TIN	42214-2
-	42214-1
FINISH	PART NO

THIS DRAWING IS A CONTROLLED DOCUMENT.		DWN JR RUTH 3/8/95	 TE Connectivity NAME TAB, FASTON, .250 SERIES																
DIMENSIONS: INCHES		CHK MS FEHER 3/8/95				SIZE	CAGE CODE	DRAWING NO	RESTRICTED TO										
TOLERANCES UNLESS OTHERWISE SPECIFIED:		APVD P DESANTIS 3/8/95				A300779		C-42214	-										
<table border="1"> <tr><td>0 PLC</td><td>± -</td></tr> <tr><td>1 PLC</td><td>± -</td></tr> <tr><td>2 PLC</td><td>± -</td></tr> <tr><td>3 PLC</td><td>± .015</td></tr> <tr><td>4 PLC</td><td>± -</td></tr> <tr><td>ANGLES</td><td>± -</td></tr> </table>		0 PLC				± -	1 PLC	± -	2 PLC	± -	3 PLC	± .015	4 PLC	± -	ANGLES	± -	PRODUCT SPEC -	WEIGHT -	
0 PLC	± -																		
1 PLC	± -																		
2 PLC	± -																		
3 PLC	± .015																		
4 PLC	± -																		
ANGLES	± -																		
MATERIAL 082 BRASS		FINISH SEE TABLE	CUSTOMER DRAWING																